

# A New Standard in Clean.

## ELT Dishmachine

- ▲ **Low-temp** machine provides exceptional one-pass wash results with water and energy efficiency.
- ▲ **Recirculating design** with 60-second cycle time enables water, energy and labor savings while achieving outstanding results.
- ▲ **Intuitive user interface** promotes a positive user experience with decreased labor and training costs.
- ▲ **Ecolab chemistry** is uniquely positioned for superior results every time.

---

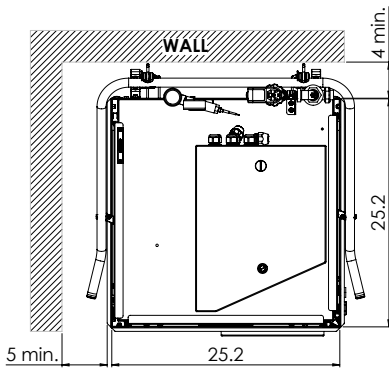
The new, re-imagined, recirculating design helps drive more efficient water and labor use while providing the best results so you can do more with less.

---

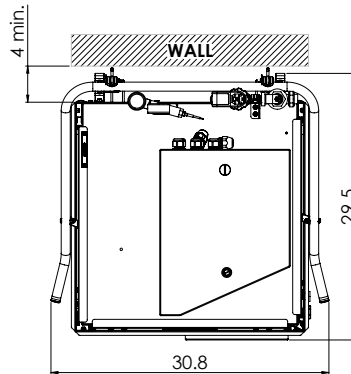


# ECOLAB DISHMACHINE RENTAL PROGRAM

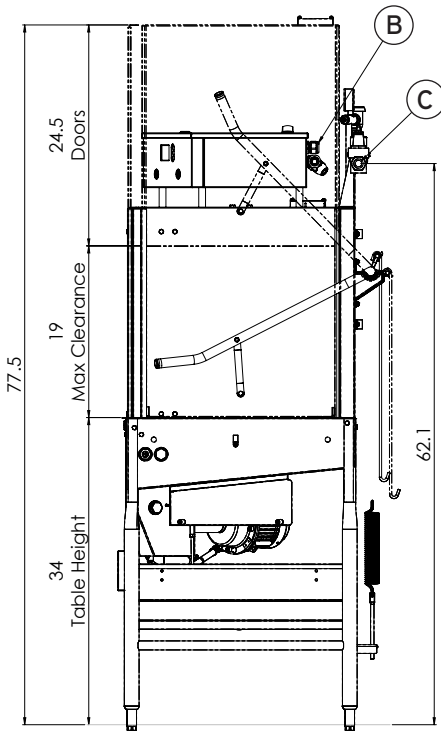
The highest level of clean backed by service you can trust.



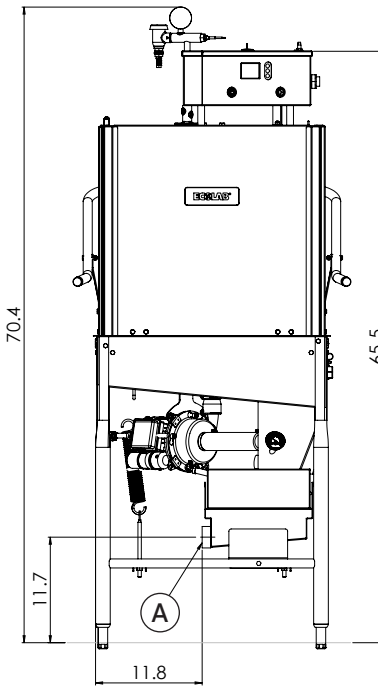
Top View  
Corner Configuration



Top View  
Straight Through Configuration



Right View



Front View

- A - Drain Connection
- B - Electrical Connection
- C - Water Inlet

All dimensions from floor are adjustable +/- 1/2" due to bullet feet.

## ELT SPECIFICATIONS

### OPERATING CAPACITY

Racks per Hour 54

### OPERATING CYCLE (LIGHT)

Total Cycle Time 77

### OPERATING CYCLE (NORMAL)

Wash Time 50  
Dwell Time 1  
Rinse Time 11  
Load Time 5  
Total Cycle Time 67

### OPERATING TEMPERATURES

Wash (minimum) 120° F  
Sanitizing Rinse (min) 120° F

### WATER CONSUMPTION

Gallons per Rack 0.83 gal/rack

### ELECTRICAL RATINGS

Wash Pump 1 hp

### WASH CHAMBER

Height 19"

### WEIGHT

Machine Weight 197 lbs

### UTILITY REQUIREMENTS ELECTRICAL

Voltage/Frequency/Phase:  
115V/60Hz/1 Ph

Total Amperage 12 A  
Minimum Electrical Circuit 15 A

### WATER

Waterline Size (min) 1/2" (NPT)  
Flow Pressure (required) 15-25 psi  
Incoming Temperature (min) 120° F  
Incoming Temperature (recommended) 140° F

### DRAIN

Drainline Size (minimum) 2"



**SIMPLE ON-DEMAND TRAINING  
VIDEOS TO SUPPORT OPERATIONS.**

Scan code to access training library.

Contact your **Ecolab Representative** or call **1 800 35 CLEAN** for more information.