



PRECISION, QUALITY & INNOVATION

DF Rotary Dishmachine

- ▲ Fast cleaning cycle is ideal for high volume locations.
- ▲ Cool final rinse cycle provides ready-to-use glassware.
- ▲ Polypropylene conveyor helps prevent damage to stemware.

.....

Renting a dishmachine from Ecolab allows you to focus on your business with the security of knowing your warewashing operation is properly managed.

.....



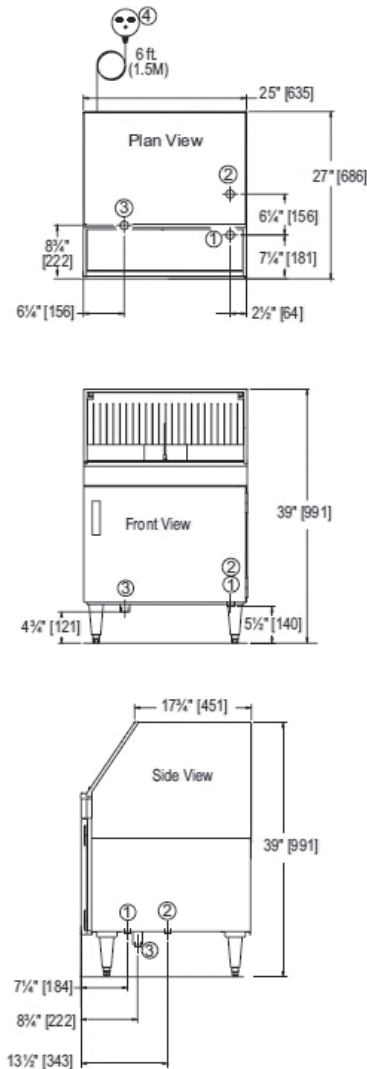
ECOLAB DISHMACHINE RENTAL PROGRAM

The highest level of clean backed by service you can trust.

DF ROTARY SPECIFICATIONS

OPERATING TEMPERATURES	
Wash (minimum)	120° F
Sanitizing Rinse (minimum)	75° F
WATER CONSUMPTION	
Gallons per Minute (cold water)	2.8
ELECTRICAL RATINGS	
Wash Pump	1/10 hp
WEIGHT	
Machine Weight	154 lbs
UTILITY REQUIREMENTS ELECTRICAL	
Voltage/Frequency/Phase:	
208-240V/60Hz/1 Ph	
Total Amperage	13A
Minimum Electrical Circuit	20A
WATER	
Waterline Size (min)	1/2"
Flow Pressure (required)	25-95 psi
Minimum Incoming Temperature	140-160°F
DRAIN	
Drainline Size (min)	1-1/2"
CHEMICAL SANITIZER RINSE	
Minimum chlorine, ppm	50
Minimum iodophor, ppm	12.5

1	Hot Water Connection: 140-160°F/60-71°C ½" IPS Flow pressure 25-95 PSI [173-655 kPa]. Install water shut-off valves and check-valves in the water inlet supply lines and <u>as close to the machine as possible</u> .
2	Cold Water Connection: 75°F/24°C ½" IPS Flow pressure 25-95 PSI [173-655 kPa]. Install water shut-off valves and check-valves in the water inlet supply lines and <u>as close to the machine as possible</u> .
3	Drain Connection: Gravity 1½" Tailpiece (slip-fit) Maximum drain flow 3 US gallons/min [11L/min]
4	Electric Connection: 208-230VAC/50-60HZ/1PH Min/Max 15A 6 ft. /1.5 m flexible cord and plug supplied NEMA 6-15P electric outlet



Enhance Warewashing Results with a Managed Water Softening Program



- Water hardness over 7 grains per gallon significantly impacts warewashing results. Ecolab's POU water softener helps you achieve superior results at a lower operating cost
- Single point of accountability for improved results
- Worry-free renting includes maintenance
- Compact cabinet design unit fits under most dish tables
- Uses less salt than conventional hot water softeners